

SPARE PARTS / Bebop 2 / Nose

Parrot

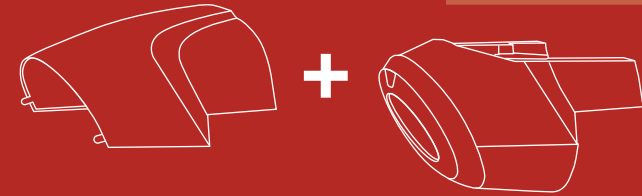
BEBOP 2 DRONE

To replace the nose of the Bebop 2,
you need a T5 screwdriver.

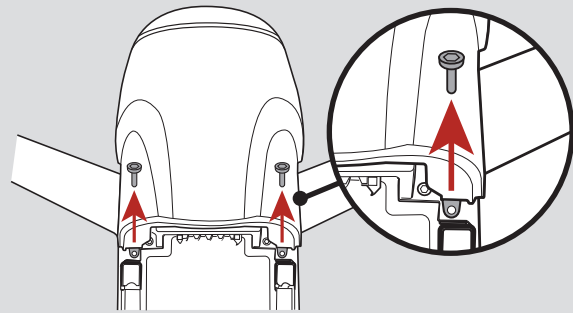
It is recommended to use the Parrot Toolbox for this operation.

REFERENCES: EPP Nose Red : PF070209AA / EPP Nose White : PF070211AA / Screws : MCFAS00197

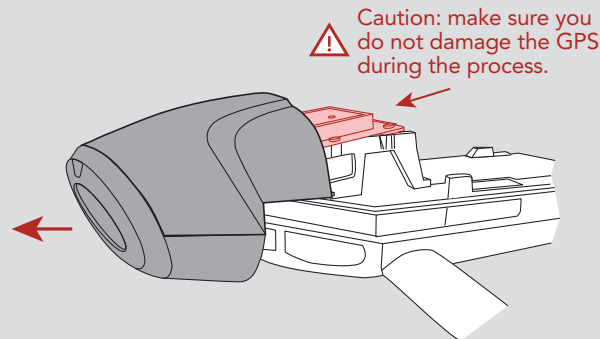
DIFFICULTY
LEVEL



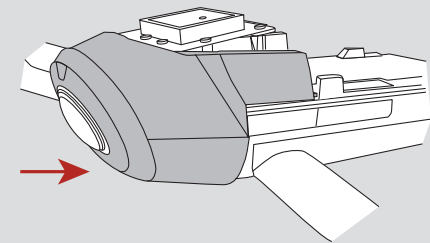
Package content:
1 blister / 1 EPP shell / 2 screws



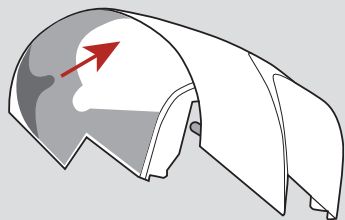
1 Remove the two screws holding the nose.



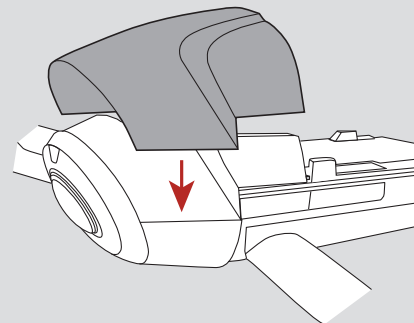
2 Slide the nose forward to remove it.*



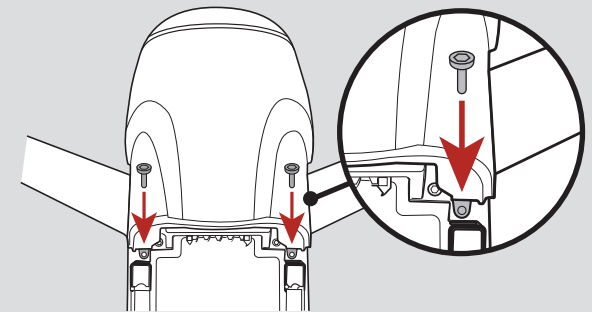
3 Place the EPP shell of the new nose on the drone.



4 Peel the protection off the blister.



5 Stick the blister on the EPP shell. Make sure that the blister is aligned with the EPP shell.



6 Secure the new nose with the 2 screws.

* Using a new nose part will ease the process and prevent from damaging the GPS.