

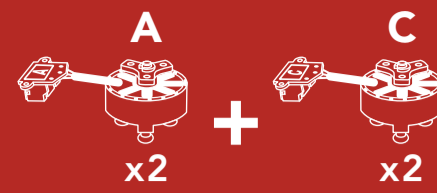
SPARE PARTS / Bebop 2 / Engines

Parrot
BEBOP 2 DRONE

To replace the engines of the Bebob 2,
you need a T5, and a T6 screwdriver.

It is recommended to use the Parrot Toolbox for this operation.

REFERENCES: Engines: PF070217AA / Screws: MCFAS00333 / MCFAS00198

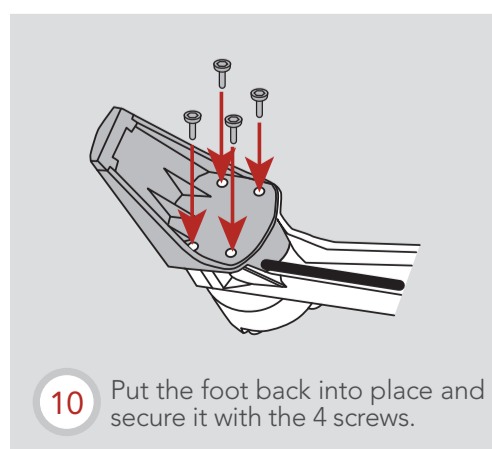
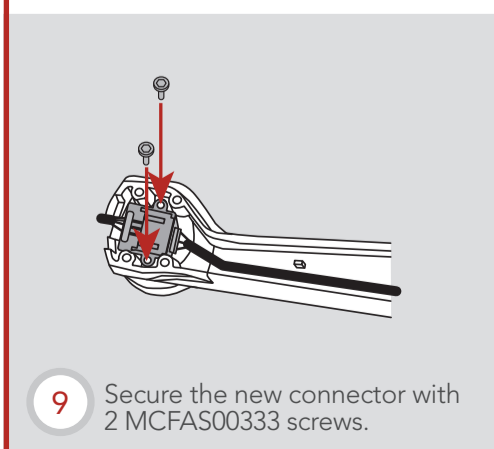
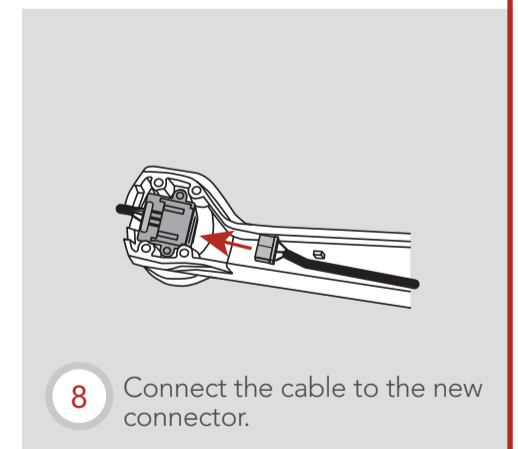
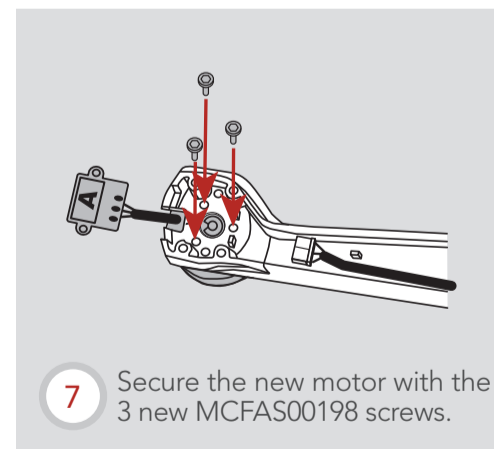
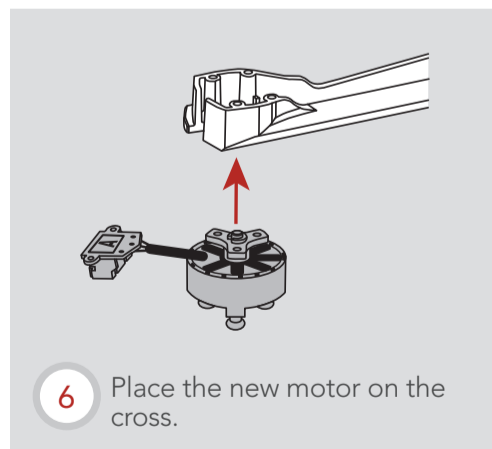
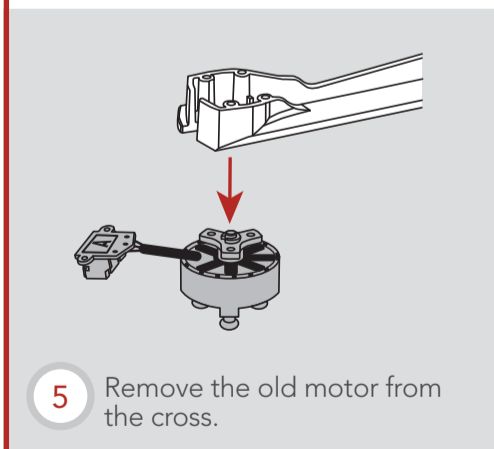
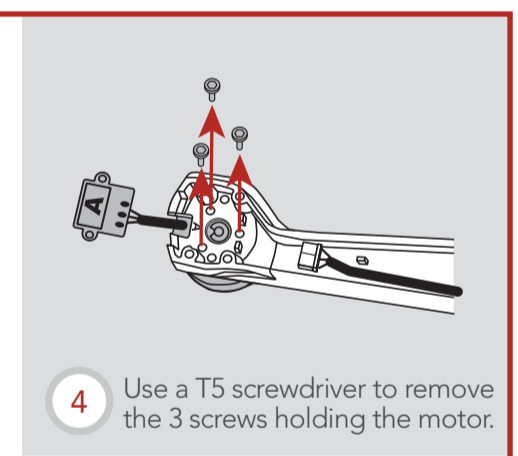
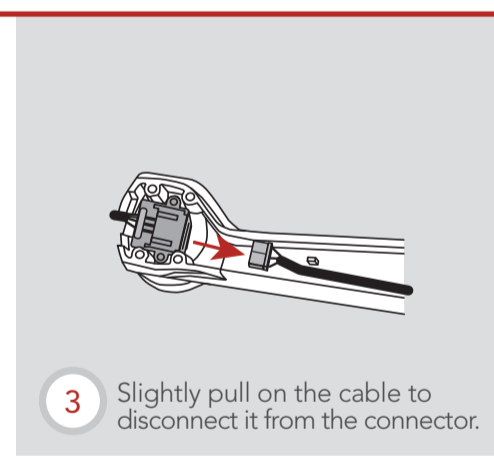
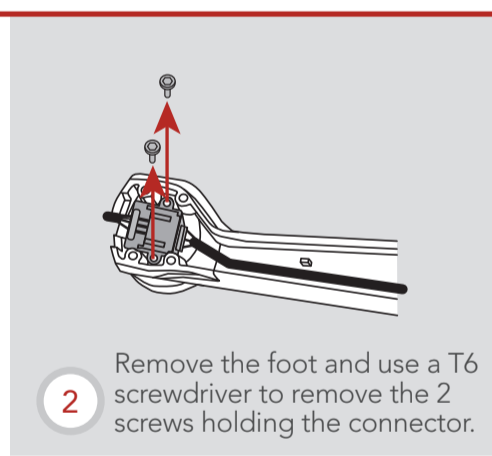
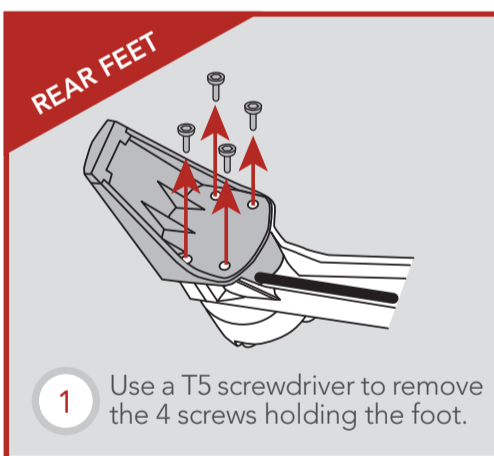
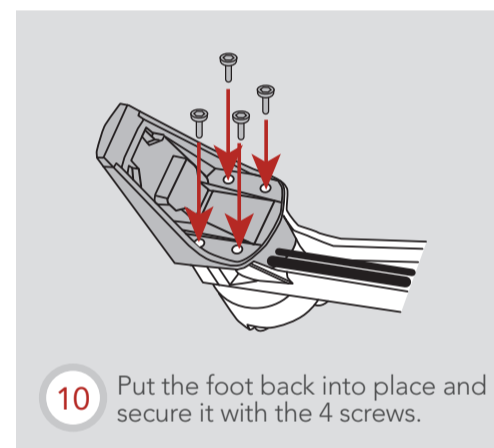
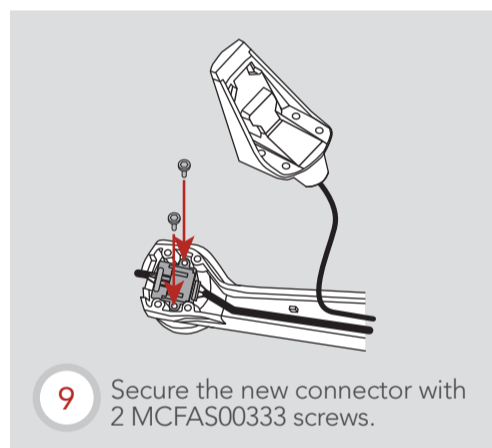
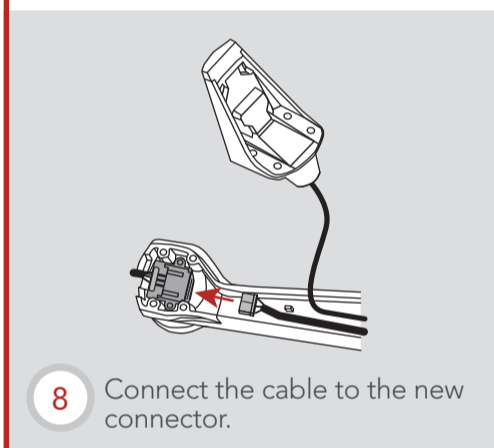
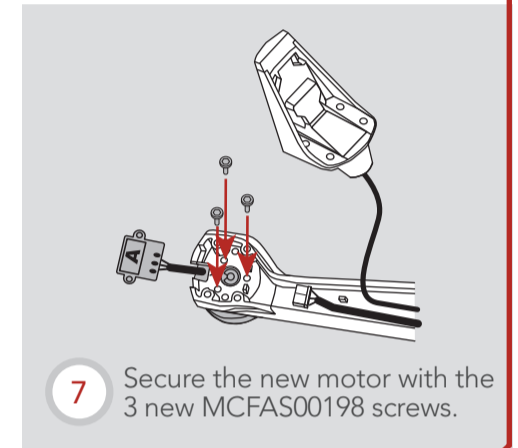
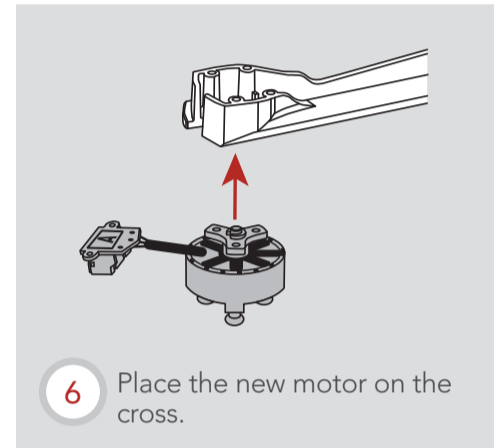
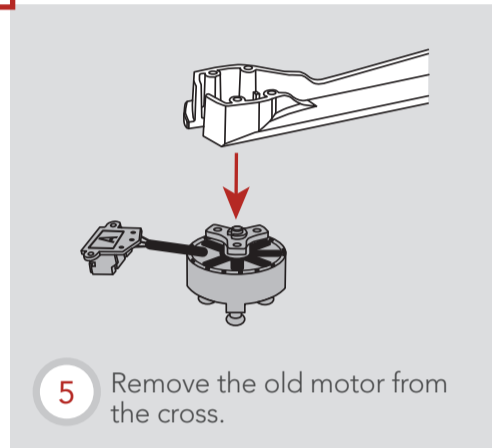
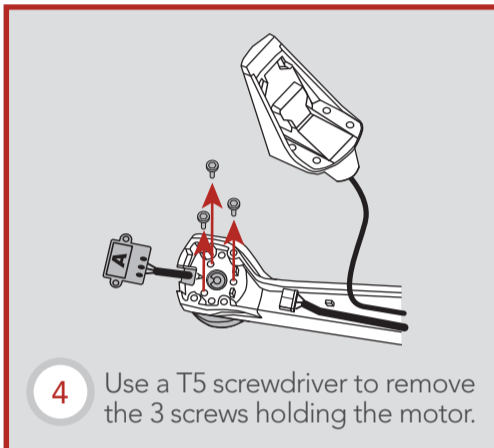
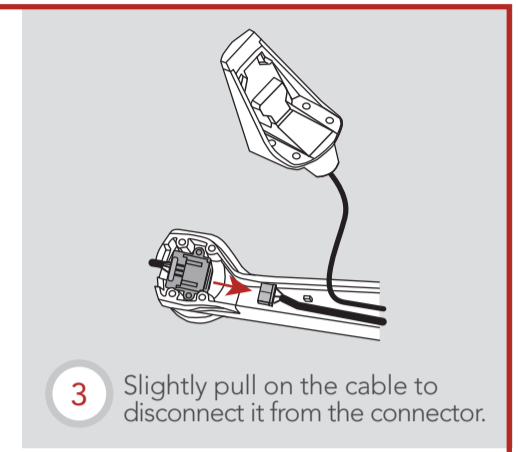
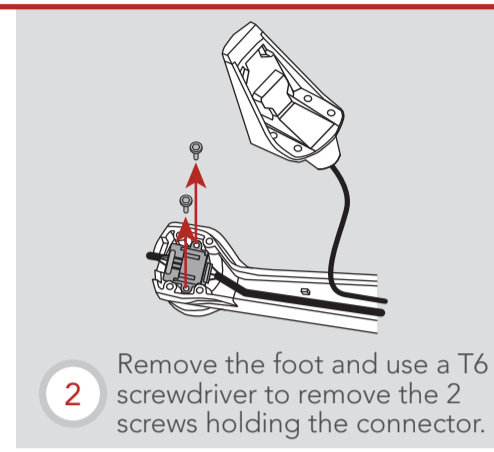
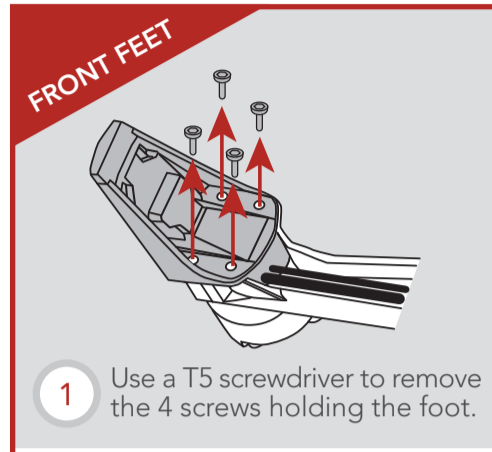
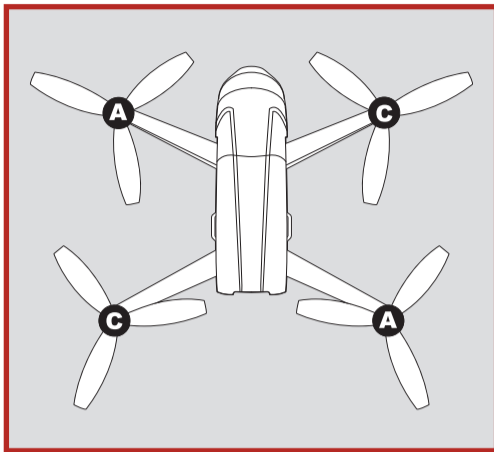


DIFFICULTY
LEVEL



Package content:

2 C motors - front right and rear left motors /
2 A motors - front left and rear right motors /
8 MCFAS00333 screws / 12 MCFAS00198 screws



Parrot
BEBOP 2 DRONE