

SPARE PARTS / Bebop 2 / Feet

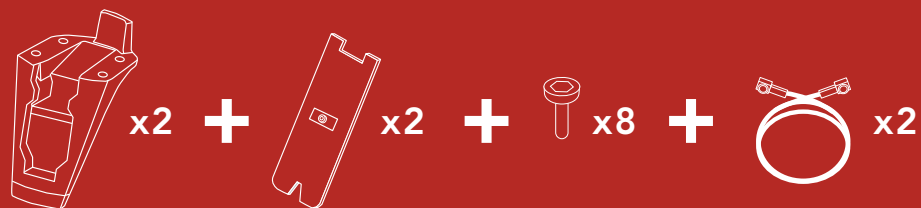
Parrot
BEBOP 2 DRONE

To replace the feet of the Bebop 2, you need a T5 screwdriver.

It is recommended to use the [Parrot Toolbox](#) for this operation.

REFERENCES: Feet: PF070214AA / Screws: MCFAS00334

Package content:



FRONT FEET

2 Feet / 2 Antennas / 2 Screws / 8 Screws MCFAS00334

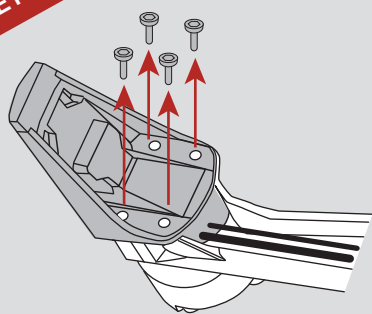
DIFFICULTY
LEVEL



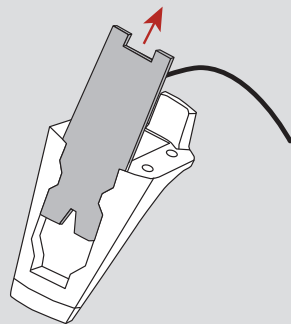
REAR FEET

2 Feet / 8 Screws MCFAS00334

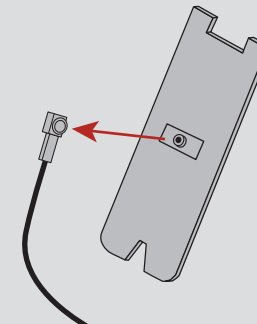
FRONT FEET



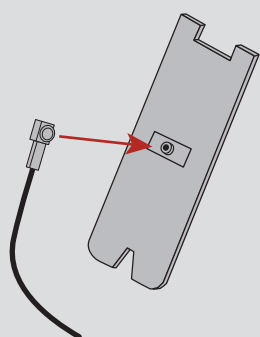
1 Remove the 4 screws holding the foot and remove the old foot.



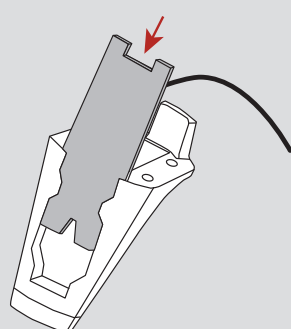
2 Slide the antenna off the foot.



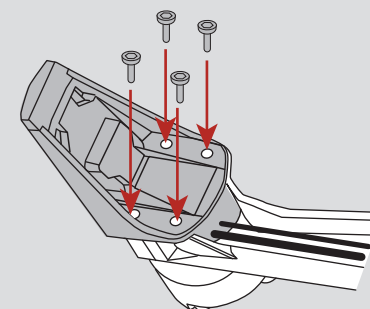
3 Remove cable from the antenna.



4 Fix the new antenna to the cable.

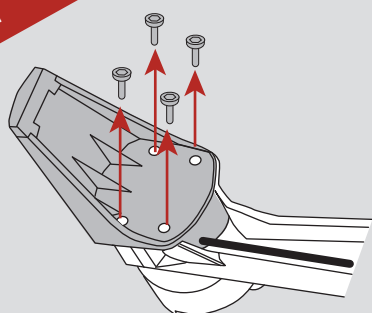


5 Slide the new antenna in the foot.

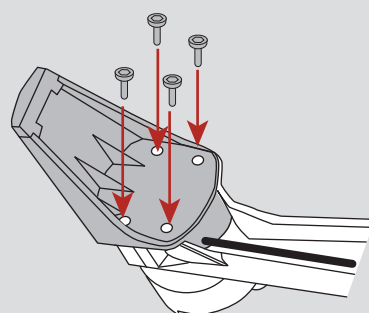


6 Put the new foot in place and secure it with 4 new MCFAS00334 screws.

REAR FEET



1 Remove the 4 screws holding the foot and remove the old foot.



2 Put the new foot in place and secure it with 4 new MCFAS00334 screws.

Parrot
BEBOP 2 DRONE