

SPARE PARTS / Bebop 2 / Fan

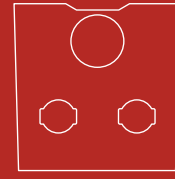
Parrot
BEBOP 2 DRONE

To replace the fan of the Bebop 2, you need a T5 screwdriver, a T6 screwdriver, pliers and a box cutter.

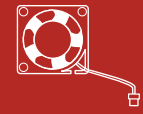
It is recommended to use the [Parrot Toolbox](#) for this operation.

REFERENCES: Fan: PF070213AA / Screws: MCFAS00197

DIFFICULTY
LEVEL



+



+

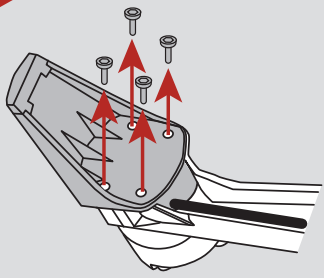


x3

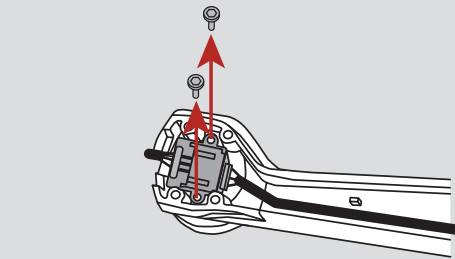
Package content:

1 sticker / 1 fan / 3 MCFAS00197 screws

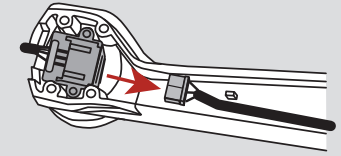
1 REMOVING THE MOTORS



- 1 Use a T5 screwdriver to remove the 4 screws holding each foot.

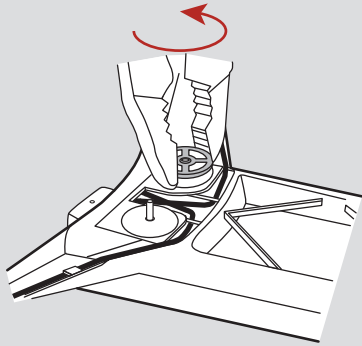


- 2 Remove the feet and use a T6 screwdriver to remove the 2 screws holding each connector.

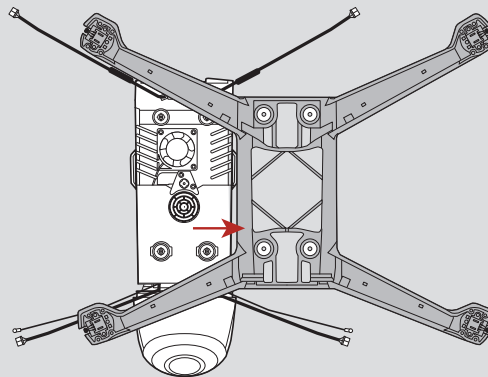


- 3 Slightly pull on the cable to disconnect them from each connector.

2 REMOVING THE CROSS

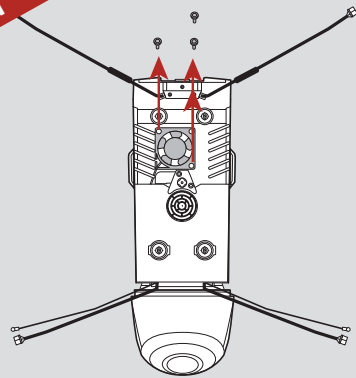


- 1 Use the pliers to unscrew the 4 washers under the drone.

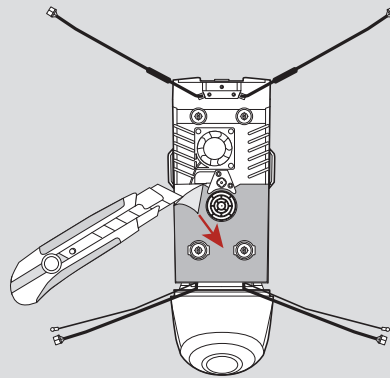


- 2 Remove the cross.

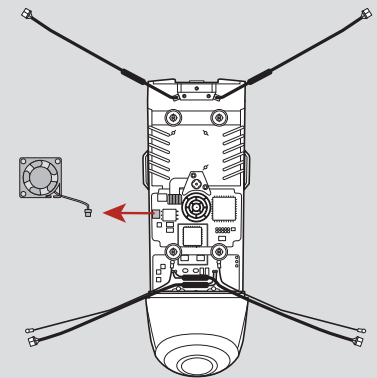
3 REMOVING THE OLD FAN



- 1 Use a T5 screwdriver to remove the 3 screws holding the fan.

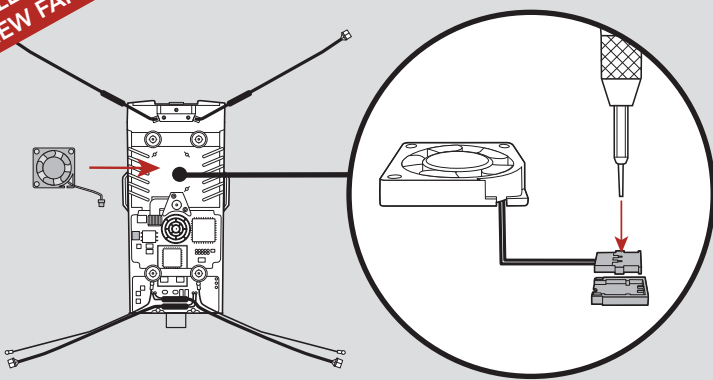


- 2 With a box cutter, peel off the sticker.

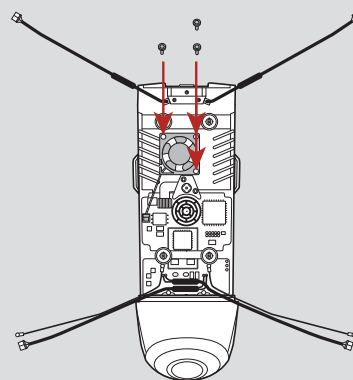


- 3 Disconnect the cables of the fan and completely remove it.

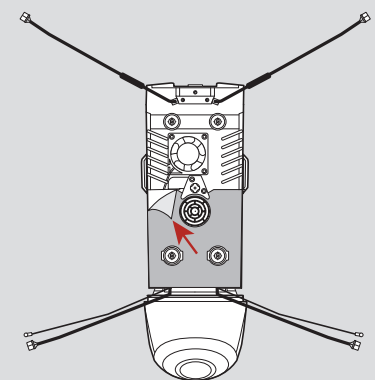
4 INSTALLING THE NEW FAN



- 1 Connect the new fan to the motherboard.

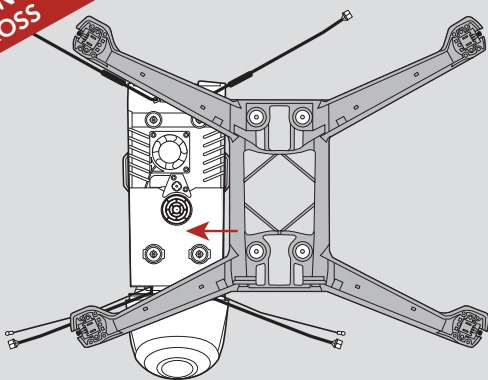


- 2 Secure the new fan with the 3 MCFAS00197 screws.

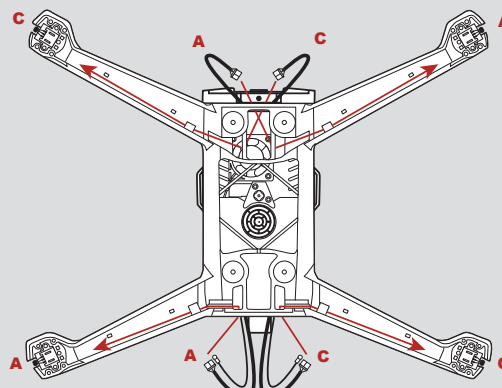


- 3 Replace the old sticker with the new one.

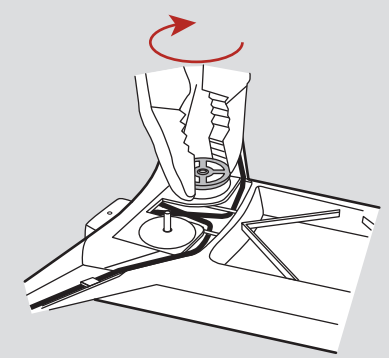
5 INSTALLING THE CROSS



- 1 Put the cross back on the drone.

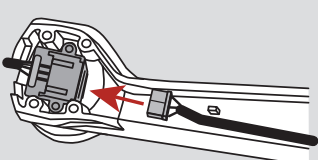


- 2 Make sure to correctly put back all the cables.

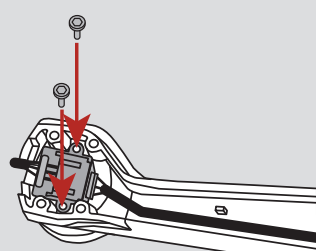


- 3 Secure the cross with the washers.

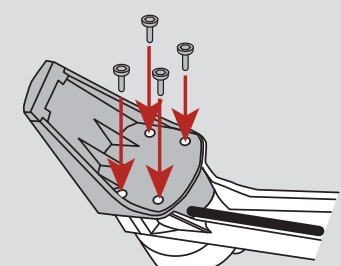
6 PUTTING THE MOTORS BACK



- 1 Connect the cables to each connector.



- 2 Secure each connector with 2 screws.



- 3 Secure each foot with 2 screws.