

# SPARE PARTS / Bebop 2 / Camera

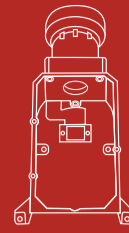
# Parrot

BEBOP 2 DRONE

To replace the camera of the Bebop 2,  
you need a T5 screwdriver.

It is recommended to use the [Parrot Toolbox](#) for this operation.

REFERENCES: Camera: PF070202AA / Screws: MCFAS00197 / MCFAS00221

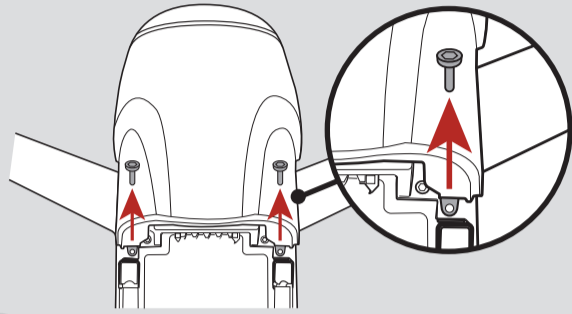


DIFFICULTY  
LEVEL

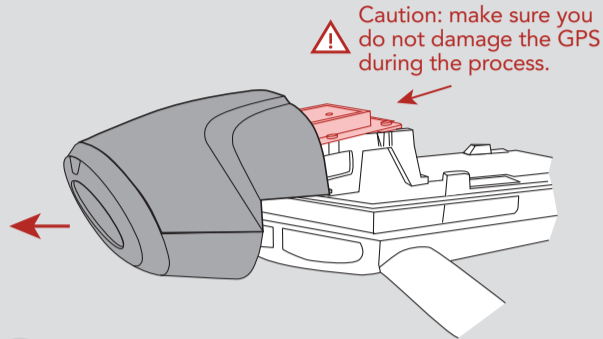


### Package content:

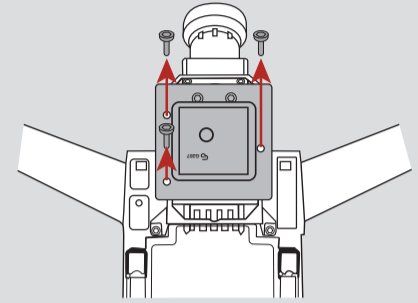
1 camera attached to an aluminum support /  
2 MCFAS00197 screws / 2 MCFAS00221 screws / 1 lock



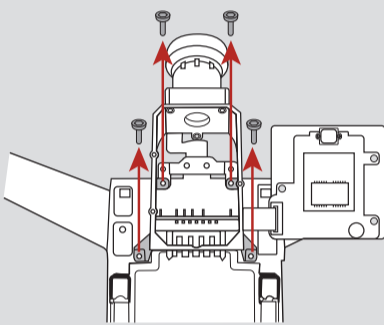
1 Remove the two screws holding the nose.



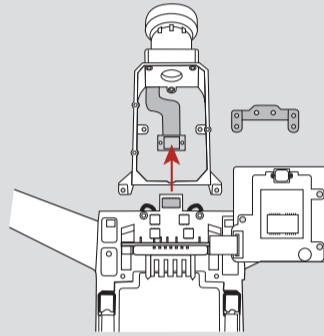
2 Slide the nose forward to remove it.\*



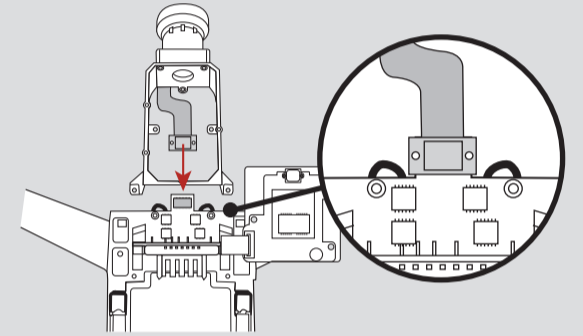
3 Remove the 3 screws holding the GPS to the support of the camera and put the GPS aside. Do not remove it completely.



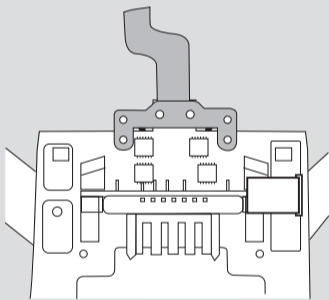
4 Remove the 4 screws holding the support of the camera.



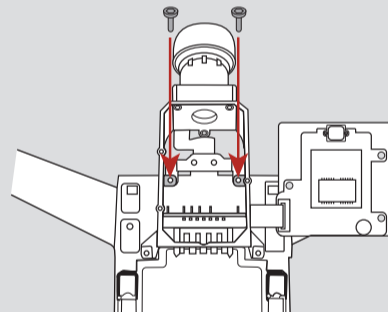
5 Remove the old camera support and all its elements.



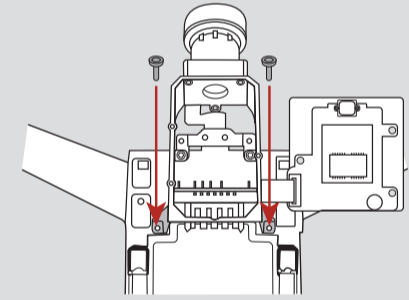
6 Fix the connector of the new camera support on the motherboard.



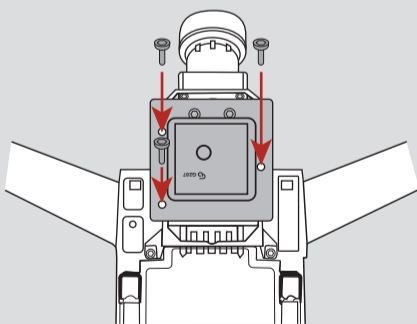
7 Put the new lock on top of the connector. Make sure the screw holes are aligned.



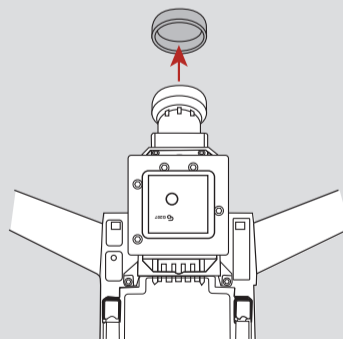
8 Put the new camera support in place and secure it with the 2 MCFAS00197 screws in the front.



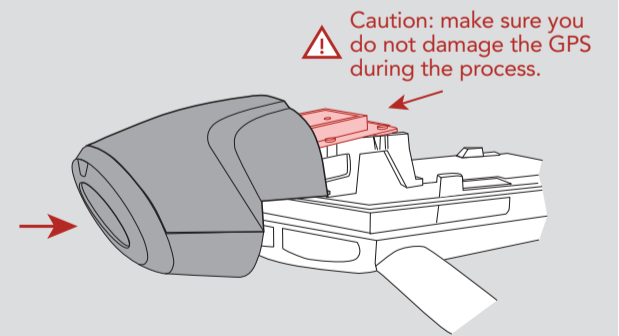
9 Secure the back of the camera support with the 2 MCFAS00221 screws.



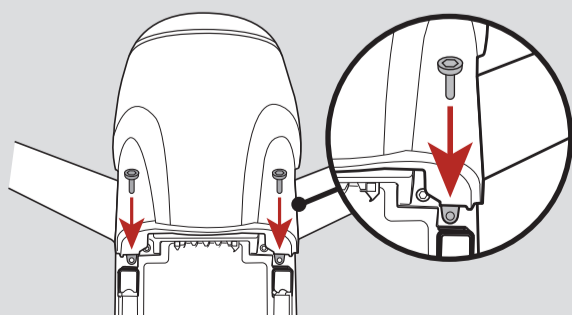
10 Put the GPS back on the support.



11 Take the lens protection off the camera.



12 Slide the nose of the Bebop 2 back on.\*



13 Secure the nose with the 2 screws.

\* Using a new nose part will ease the process and prevent from damaging the GPS.

# Parrot

BEBOP 2 DRONE