



PARROT MAMBO/ SHELLS

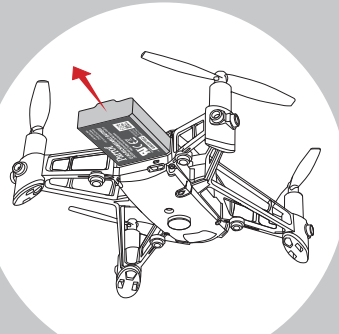
TOOLS NEEDED:
T3 SCREWDRIVER



DIFFICULTY LEVEL

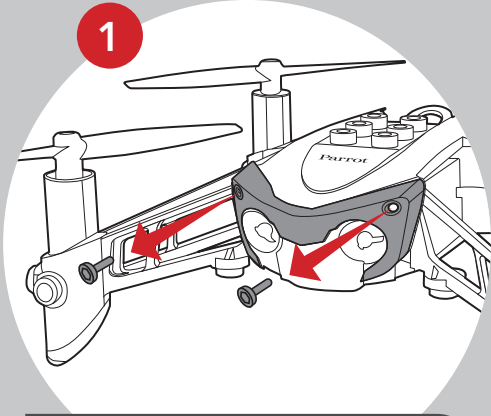
Parrot[®] MAMBO

Before you
start

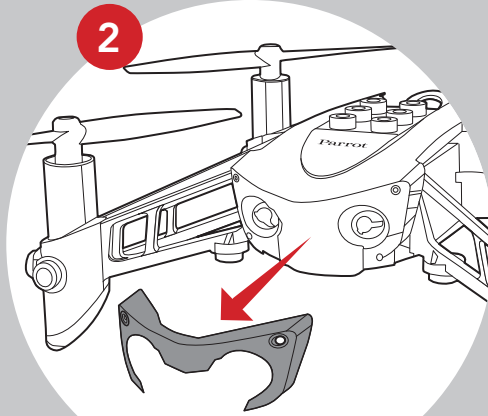


Remove the
battery

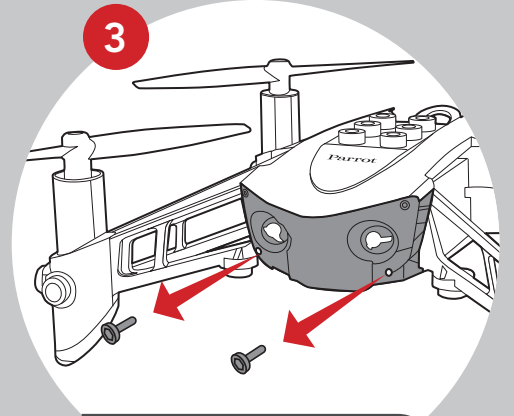
1
Remove the
damaged shell



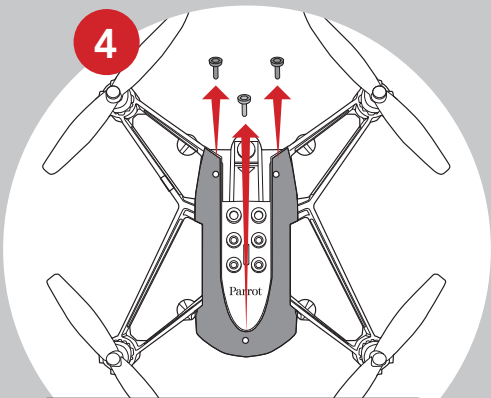
Remove the two screws holding the front part of the shell.



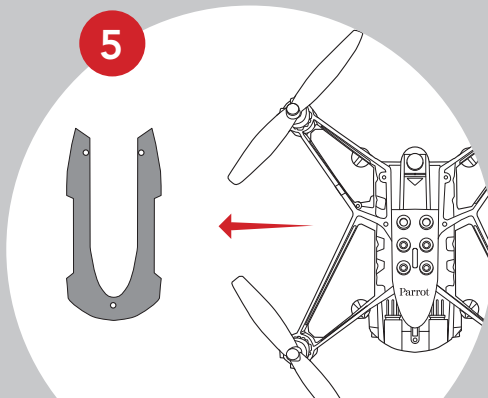
Remove the front part of the shell.



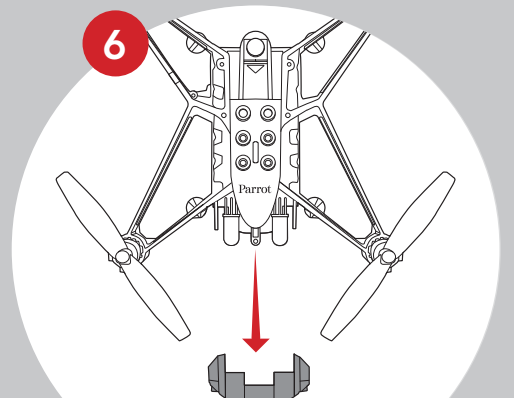
Remove the two screws holding the head.



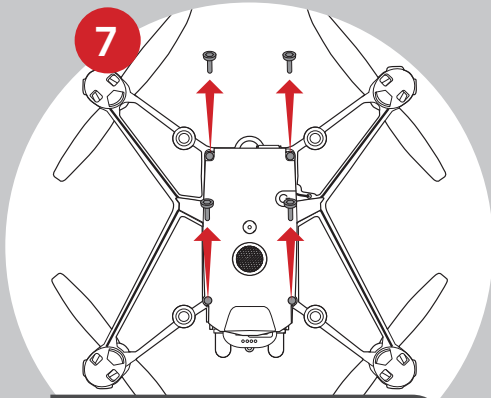
Remove the three screws holding the top shell.



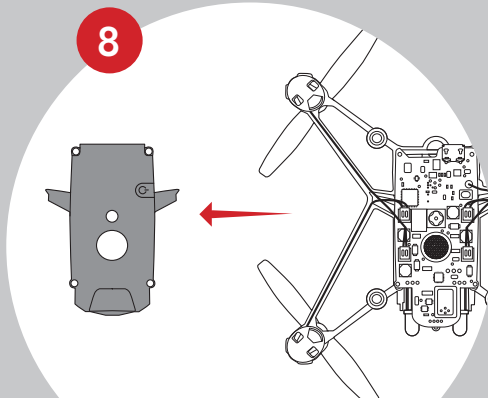
Remove the top shell.



Remove the Parrot Mambo's head.

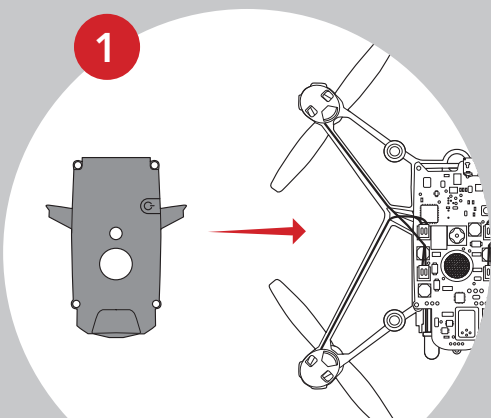


Remove the four screws holding the bottom shell.

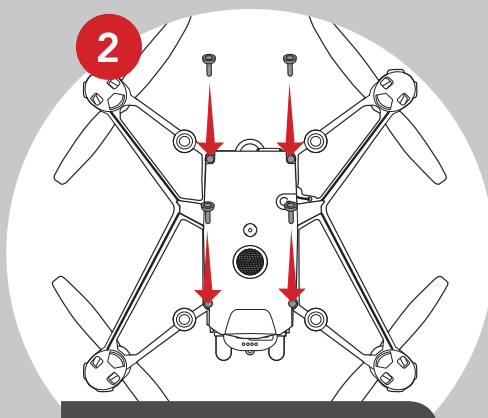


Remove the Parrot Mambo's bottom shell.

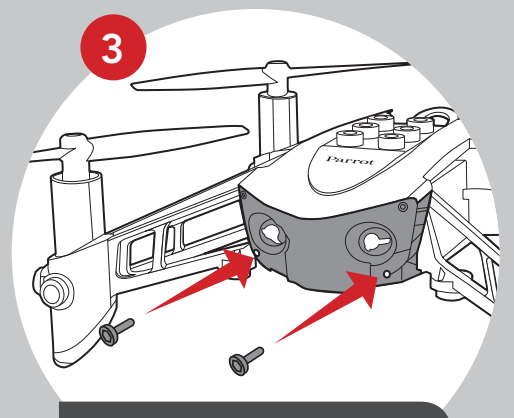
2
Install the new shell



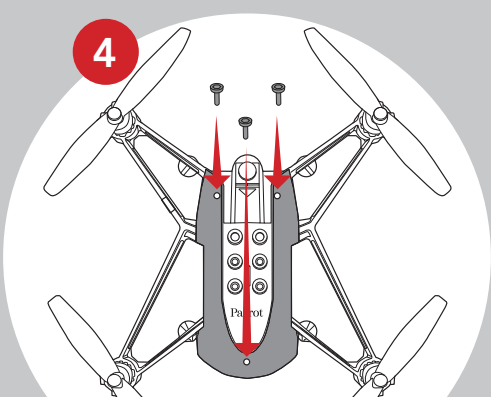
Position the new bottom shell on the Parrot Mambo.



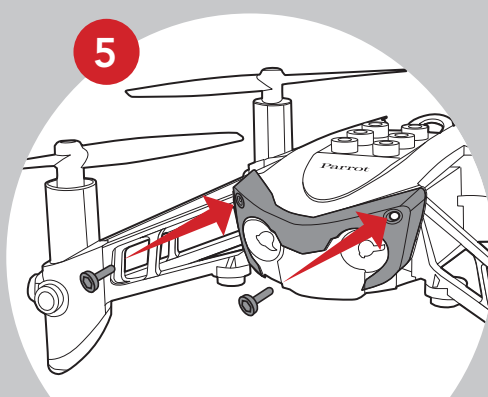
Use four screws to secure the bottom shell.



Position the head and secure it with two screws.



Position the new top shell and secure it with three screws.



Position the new front shell and secure it with two screws.