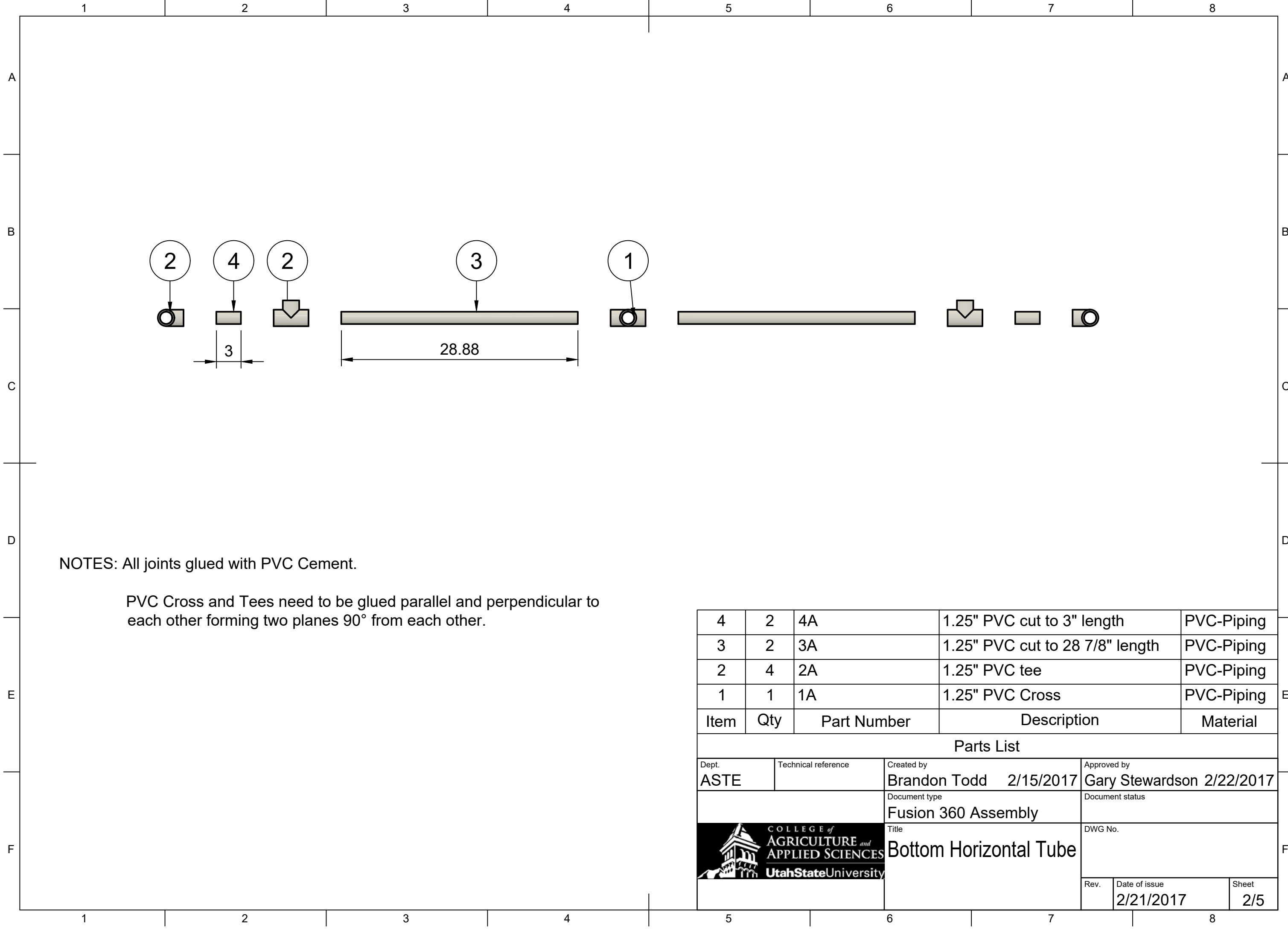


NOTE: All exploded joints are not glued with PVC Cement. This enables the Double Hoop to be assembled and disassembled at will.

5	1	ROAV DH4	Top Horizontal Bar, 4/5	PVC-Piping
4	1	ROAV DH3	Bottom Horizontal Tube, 3/5	PVC-Piping
3	1	ROAV DH2	Middle Horizontal Bar, 3/5	PVC-Piping
2	4	ROAV DH1	Vertical Tube 5/5	PVC-Piping
1	6	ROAV DH5	Leg, 5/5	PVC-Piping
Item	Qty	Part Number	Description	Material

Parts List				
Dept.	Technical reference	Created by	Approved by	
ASTE		Brandon Todd 2/23/2017	Gary Stewardson 2/23/2017	
		Document type	Document status	
		Fusion 360 Assmby		
		Title	DWG No.	
		Assembly Drawing of Double Hoop		
		Rev.	Date of issue	Sheet
			2/23/2017	1/5






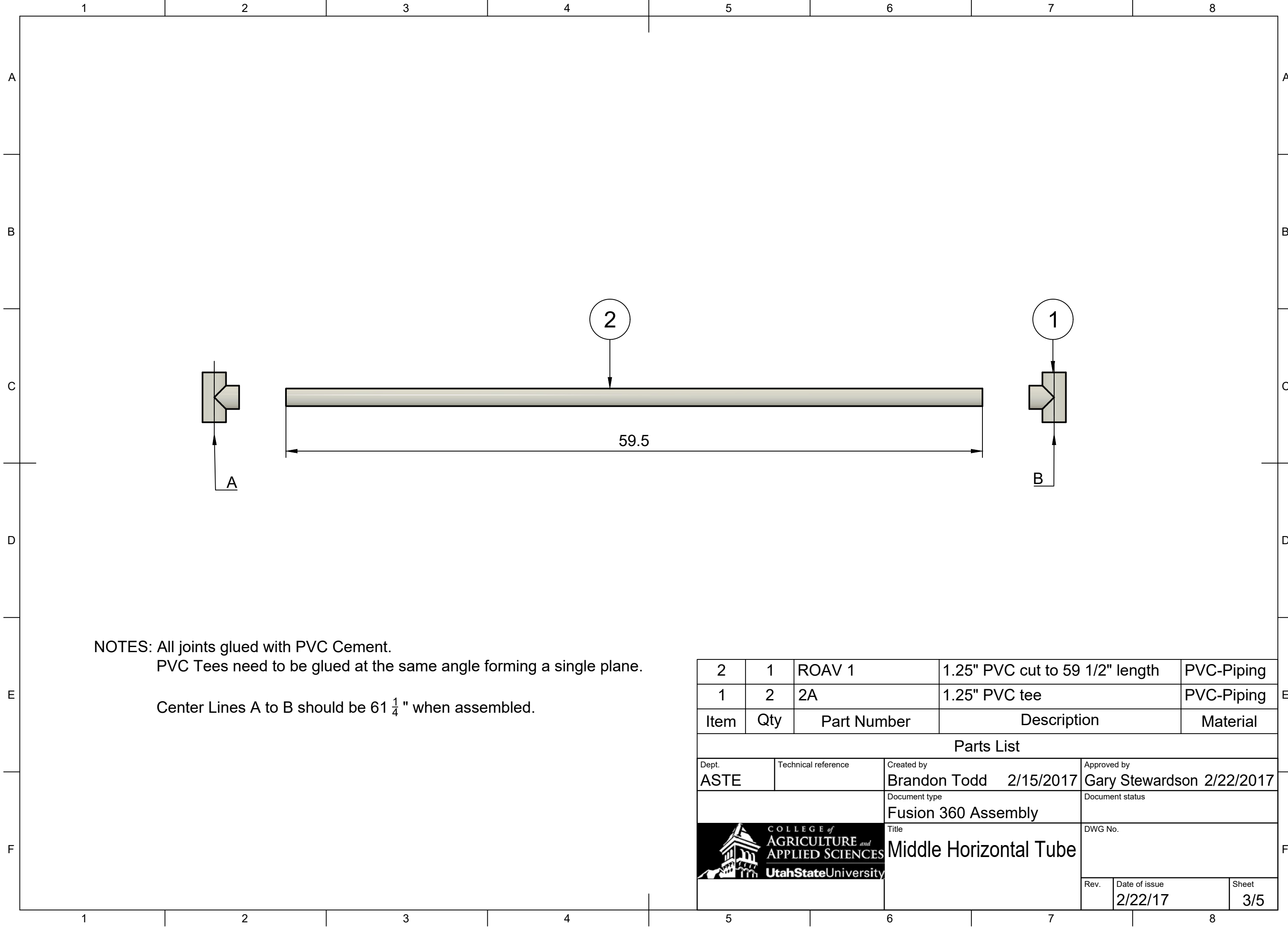
NOTES: All joints glued with PVC Cement.

PVC Cross and Tees need to be glued parallel and perpendicular to each other forming two planes 90° from each other.

4	2	4A	1.25" PVC cut to 3" length	PVC-Piping
3	2	3A	1.25" PVC cut to 28 7/8" length	PVC-Piping
2	4	2A	1.25" PVC tee	PVC-Piping
1	1	1A	1.25" PVC Cross	PVC-Piping
Item	Qty	Part Number	Description	Material

Parts List


Dept. ASTE	Technical reference	Created by Brandon Todd 2/15/2017	Approved by Gary Stewardson 2/22/2017
		Document type Fusion 360 Assembly	Document status
		Title Bottom Horizontal Tube	DWG No.
		Rev.	Date of issue 2/21/2017

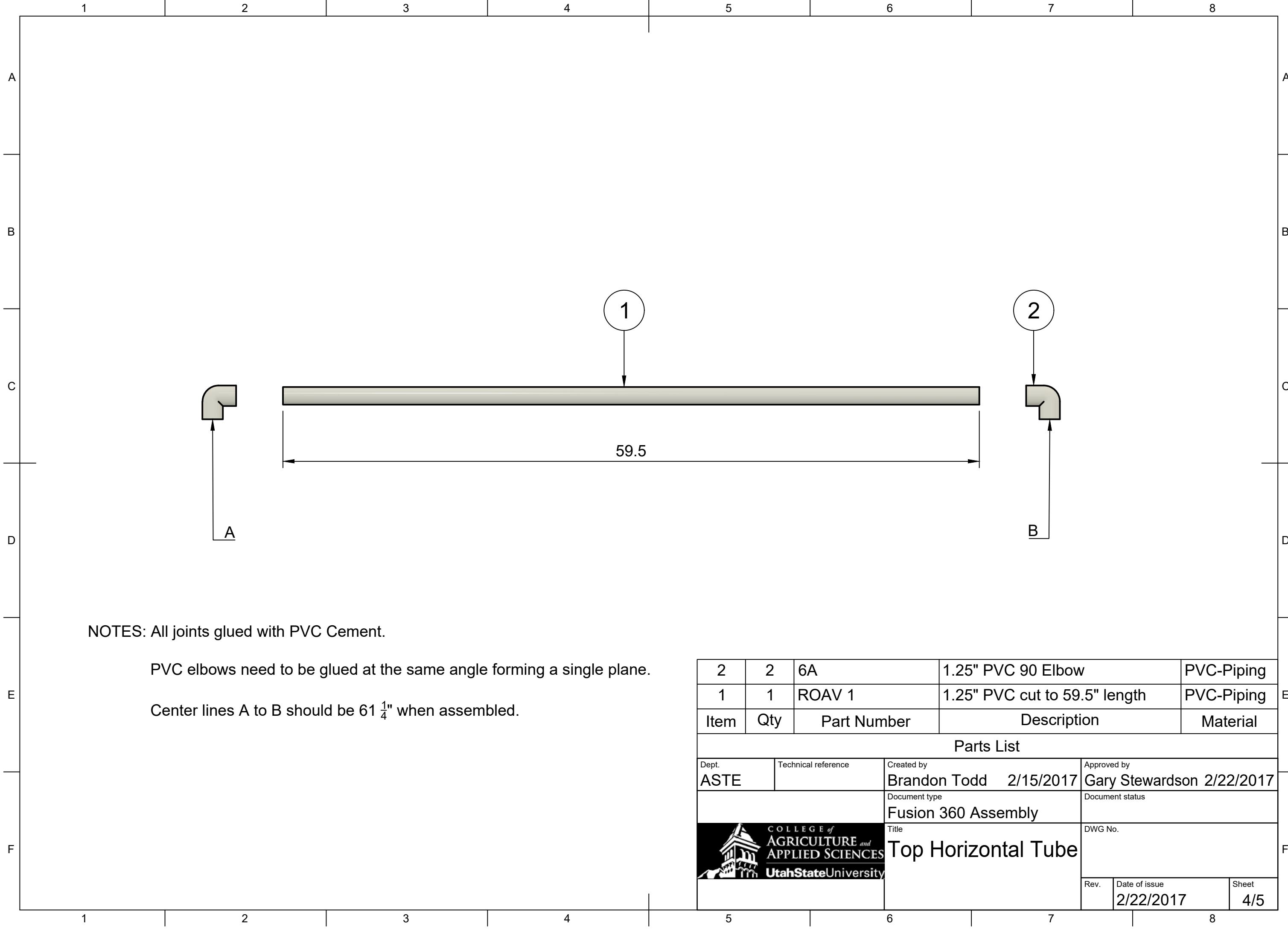


NOTES: All joints glued with PVC Cement.  
 PVC Tees need to be glued at the same angle forming a single plane.  
 Center Lines A to B should be  $61 \frac{1}{4}$  " when assembled.

Item	Qty	Part Number	Description	Material
2	1	ROAV 1	1.25" PVC cut to 59 1/2" length	PVC-Piping
1	2	2A	1.25" PVC tee	PVC-Piping

Parts List				
Dept. ASTE	Technical reference	Created by Brandon Todd	Approved by Gary Stewardson	
		2/15/2017	2/22/2017	
		Document type Fusion 360 Assembly	Document status	
 COLLEGE of <b>AGRICULTURE and            APPLIED SCIENCES</b> <b>UtahStateUniversity</b>		Title Middle Horizontal Tube	DWG No.	
			Rev.	Date of issue 2/22/17




NOTES: All joints glued with PVC Cement.

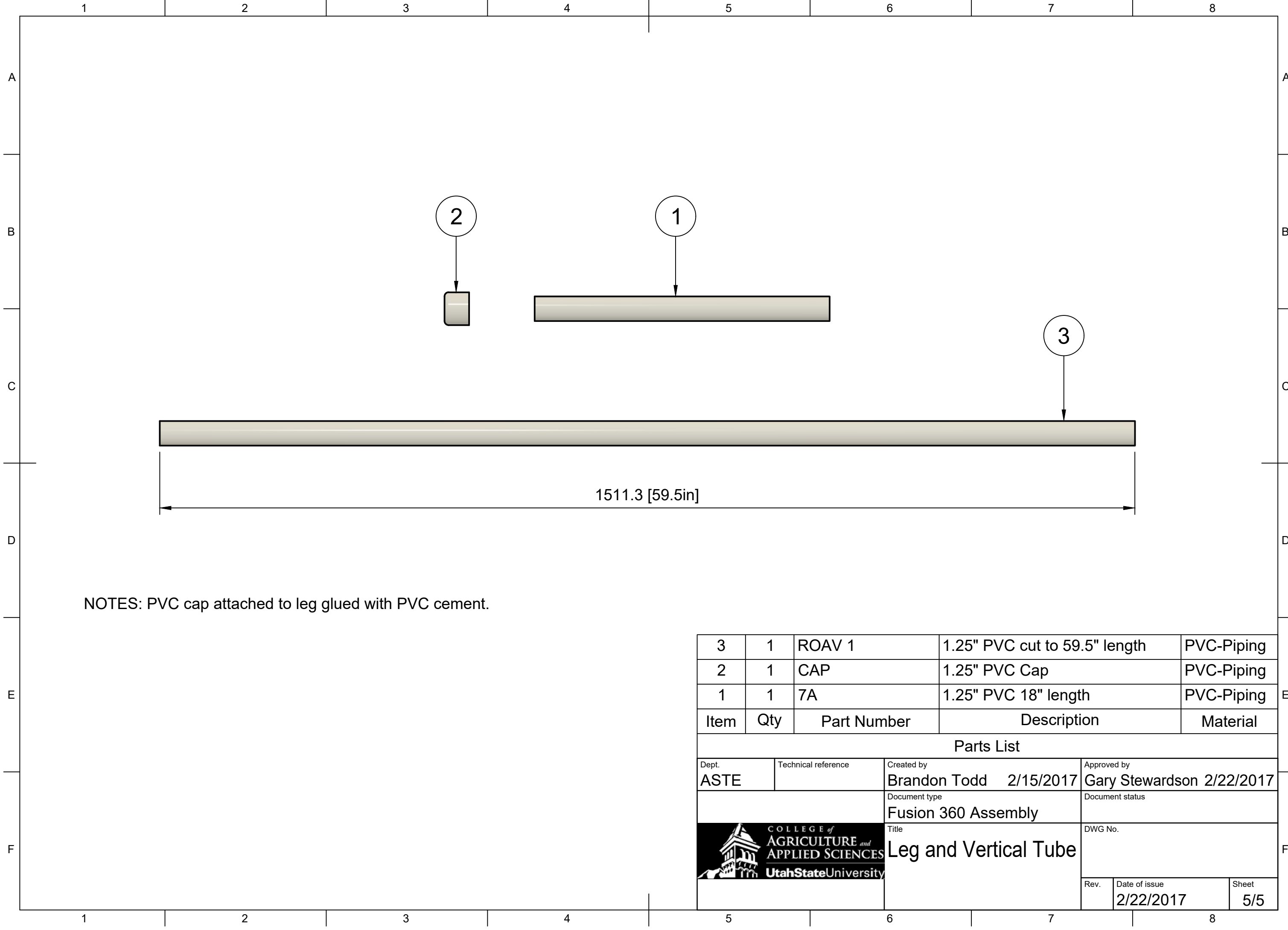
PVC elbows need to be glued at the same angle forming a single plane.

Center lines A to B should be  $61 \frac{1}{4}$ " when assembled.


Item	Qty	Part Number	Description	Material
2	2	6A	1.25" PVC 90 Elbow	PVC-Piping
1	1	ROAV 1	1.25" PVC cut to 59.5" length	PVC-Piping

Parts List				
Dept. ASTE	Technical reference	Created by Brandon Todd	Approved by Gary Stewardson	
		2/15/2017	2/22/2017	
		Document type Fusion 360 Assembly	Document status	
 COLLEGE of <b>AGRICULTURE and            APPLIED SCIENCES</b> <b>Utah State University</b>		Title Top Horizontal Tube	DWG No.	
			Rev.	Date of issue 2/22/2017



NOTES: PVC cap attached to leg glued with PVC cement.

3	1	ROAV 1	1.25" PVC cut to 59.5" length	PVC-Piping
2	1	CAP	1.25" PVC Cap	PVC-Piping
1	1	7A	1.25" PVC 18" length	PVC-Piping
Item	Qty	Part Number	Description	Material
Parts List				
Dept. ASTE	Technical reference	Created by Brandon Todd 2/15/2017	Approved by Gary Stewardson 2/22/2017	
		Document type Fusion 360 Assembly	Document status	
		Title Leg and Vertical Tube		DWG No.
		Rev.	Date of issue 2/22/2017	Sheet 5/5